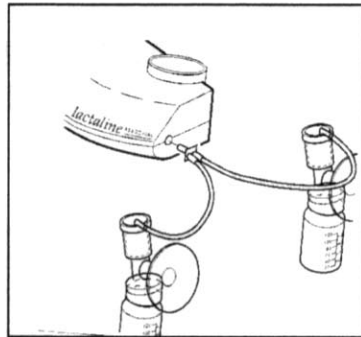
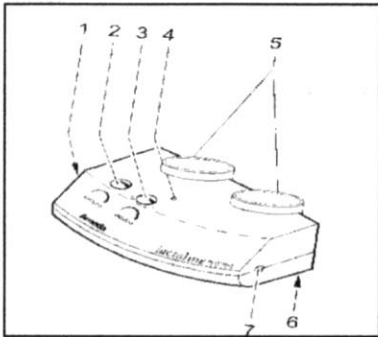
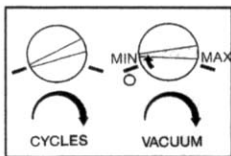


INSTRUCTIONS FOR USE:

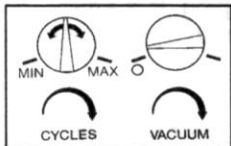


Connect the supplied transformer to the pump (1) and plug into an electric socket.

Connect the HygieniKit™ milk collection sets to the Lactaline Personal to pump from both breasts simultaneously. If single pumping is required, disconnect one collection set from the dual kit connector and close the vacant hole. (See instructions for milk collection set)



To switch the pump on, turn the Vacuum control knob(3) clockwise— the green light (4) will come on - and progressively increase suction pressure to maximum.



To adjust the frequency of the sucking rhythm, adjust the Cycle control knob (2).

To initiate 'let down' and effectively simulate infants sucking pattern, first use pump with maximum cycle speed and low vacuum level.

After a short period of these 'flutter' cycles, 'let-down' should be felt, then turn the cycle control down and adjust the vacuum to mimic baby's deep sucking activity.